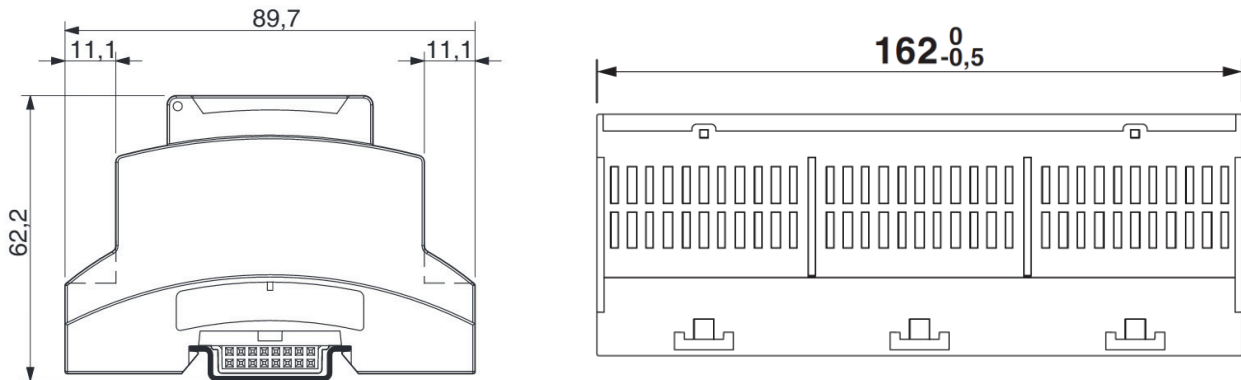


## CD303 – Technical Documentation

Version: Hardware 1.2/1.2/1.2, software 1.1

### 8 Physical dimensions



Width x depth x height in mm: 162 x 90 x 62

These dimensions refer to a housing with a clamping device for mounting on top-hat rails (TS35)

To open the housing, press in the hook devices and remove the upper side from the guide.

To close the housing, simply click it into place.