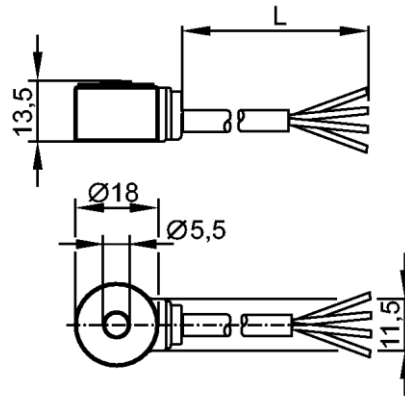


Technical Information / Data Sheet



Application	Vibration	Application	Vibration detection up to ± 25 g
Operating voltage [V]	9 DC		
Current consumption [mA]	< 15		
Protection class	III		
analogue current output [mA]	0...10		
Measuring principle	capacitive		
Measuring range [g]	± 25		
Frequency range [Hz]	0...10000		
Linearity	0.2 %		
Sensitivity [mg/ $\sqrt{\text{Hz}}$]	0.2		
Ambient temperature [°C]	-30...100, for UL applications: max. 80 °C		
Contact temperature [°C]	-20...80		
Protection	IP 67		
EMC	EN 61000-6-2		
	EN 61000-6-3		
	EN 50178		
Type of sensor	Microelectromechanical system (MEMS)		

Number of measurement axes	1
Mechanical overload resistance [g]	500
Drag chain suitability	Bending radius for flexible applications: min. 10 x cable diameter
Max. length of the sensor cable [m]	250
Housing materials	housing: stainless steel 316L / 1.4404
Weight [kg]	Weight [kg] 0.12
Connection	PUR cable / 3 m; 4 x 0.14 mm ² ; drain wire applied to the housing
Wiring	
blue: GND	
black: test	
brown: L+	
white: Out	
screen: drain wire	
Accessories (included)	1 mounting screw (Torx cylinder screw no. 15, M5 x 20)
Pack quantity [piece]	1