

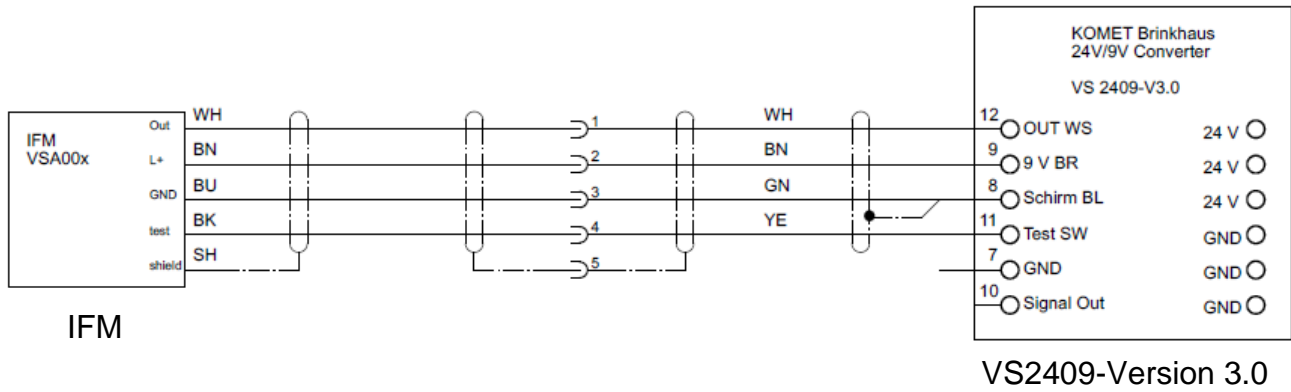
Data Sheet Voltage Converter VS 2409 // E 65 60060

Version 3.0

Voltage converter from 24V to 9V to install a Single-axis acceleration sensor



Wiring diagramm



Dimensional Drawing

